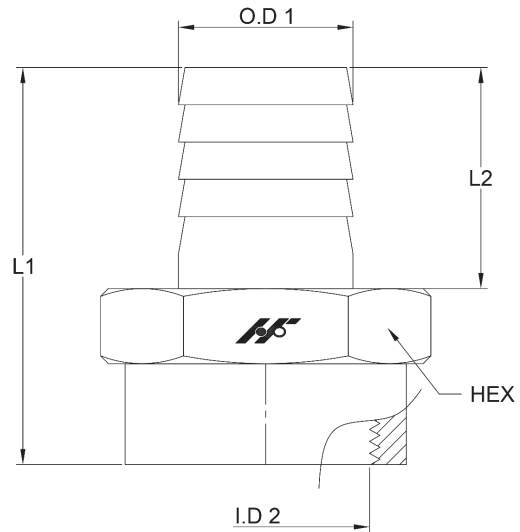
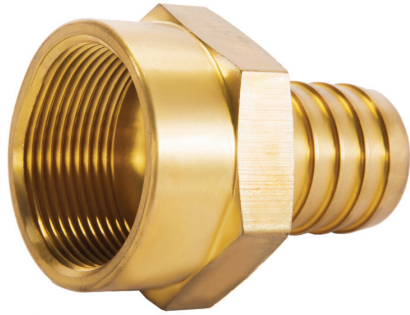


Female & Barbed Fitting-1

Specification	Model No.	O.D 1	L1	L2	HEX	Thread-BSPT	
1/4" *1/4"	CE50022	7.2	35	20	17	11.4	
1/4" *5/16"	CE50022-5	9	35	20	17	11.4	
1/4" *3/8"	CE50023	10.5	35	20	17	11.4	
3/8" *5/16"	CE50032-5	9	35	20	20.5	15	
3/8" *3/8"	CE50033	10	40	23	21	15	
3/8" *1/2"	CE50034	13.5	35	20.4	20.5	15	
1/2" *5/16"	CE50042-5	9	39	21	24.5	18.6	
1/2" *3/8"	CE50043	10.5	37.6	20.4	24	18.6	
1/2" *1/2"	CE50044-4	17	37.6	20.4	24	18.6	
1/2" *5/8"	CE50045-1	17	37.6	20.4	24	18.6	
1/2" *3/4"	CE50046-1	20	48	31.3	22	18.6	
3/4" *1/2"	CE50064-1	13	46	25.8	30	24.1	
3/4" *5/8"	CE50065-1	17.1	51	34	30	24.1	



Female & Barbed Fitting-2

Specification	Model No.	O.D 1	L1	L2	HEX	Thread-BSPT	
3/4" *3/4"	CE50066-1	20	46	26.6	30	24.1	
3/4" *1"	CE50068	26.4	55.3	38	35	24.1	
1" *3/4"	CE51006	20	60	34.6	35	30.3	
1" *1"	CE51010	27	71	41	44.1	30.3	
1" *1-1/4"	CE51012	33.2	64	39.4	37	30.3	
1-1/4" *1"	CE51210	26	73	37	27.6	39	
1-1/2" *1"	CE51410	26	73	37.2	27.2	44.9	
1-1/2" *1-1/4"	CE51412	33.2	83.6	45	45	44.9	
1-1/2" *1-1/2"	CE51414	39	72.6	46.2	55	44.9	
1-1/2" *2"	CE51420	51.7	90.9	48.8	60.1	44.9	